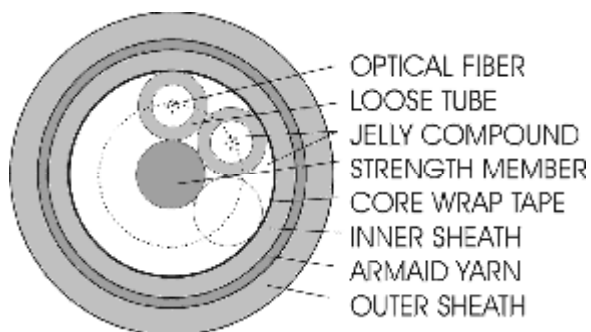


■ AERIAL ADSS CABLE


- **SINGLE MODE OPTICAL FIBER (ITU-T G.652B/D)**
- **LOOSE TUBE (JELLY FILLED)**
- **ALL NON-METALLIC STRENGTH MEMBER**
- **PKP SHEATH**

- Mechanical and Environmental Properties:

Item	Test Method	Test Condition	Acceptance Criteria
Tensile strength	IEC 794-1-E1	- Tensile load: refer to the below table	Note 1), 2)
Crush	IEC 794-1-E3	- Load: 1500N/100mm	Note 1), 2)
Impact	IEC 794-1-E4	- Impact energy : 1kg×1m - Impact diameter: 25mm	Note 1), 2)
Repeated bending	IEC 794-1-E6	- Bending radius: 20×cable diameter - Bending cycles: 20	Note 1), 2)
Torsion	IEC 794-1-E7	- Test length: 2m - Twist angle: ±180 degrees - Twist cycles: 10	Note 1), 2)
Temperature cycling	IEC 794-1-F1	- Temperature change: -40°C → +70°C	Note 3)
Water penetration	IEC 794-1-F5	- Cable length: 3m, Water height: 1m - Duration time: 24 hrs	No water leak in cable core

Note 1) Attenuation increase : $\leq 0.1\text{dB}$

Note 2) No mechanical damage

Note 3) Attenuation variation : $\leq 0.1\text{dB/km}$

1. SPAN 70meter:

Fiber Counts		48	96	144	192	216
Nominal cable diameter (mm)		13.0	14.5	17.9	21.3	23.0
Min. bend radius (mm)	No load	130	145	179	213	230
	Under load	260	290	358	426	460
Cable weight (kg/km)		137	177	264	369	428
Maximum Operating Stress (kN)		2.5	3.3	3.7	4.0	4.4
Maximum Allowable Stress (kN)		4.5	6.0	6.6	7.2	7.8
Temperature range		-40°C ~ +70°C				

2. SPAN 100meter:

Fiber Counts		144	192	216
Nominal cable diameter (mm)		18.0	21.4	23.1
Min. bend radius (mm)	No load	180	214	231
	Under load	360	428	462
Cable weight (kg/km)		266	372	431
Maximum Operating Stress (kN)		4.1	5.1	5.4
Maximum Allowable Stress (kN)		7.5	9.1	9.7
Temperature range		-40°C ~ +70°C		

3. SPAN 200meter:

Fiber Counts		144	192	216
Nominal cable diameter (mm)		18.3	21.8	23.6
Min. bend radius (mm)	No load	183	218	23.6
	Under load	366	436	472
Cable weight (kg/km)		274	383	443
Maximum Operating Stress (kN)		6.4	8.2.	8.8
Maximum Allowable Stress (kN)		11.6	14.7	16.0
Temperature range		-40°C ~ +70°C		